



Homework

Year 3 Thursday 30th January

Dear Parents,

Please can you:

- Check names on all uniforms
- Please can you check your child's pencil case, as they do seem to run out of pencils, pens and glue very regularly. Please restock their pencil cases.

Thank you for all your support.

Ms Rowntree

Spellings – We will test spellings next week. Please write the words out 3 or 4 times and then put them into a sentence.

possession
possess
position
popular
perhaps
perculiar
particular



7 Times Table Activities


1. Count in 7s and colour in the grid:

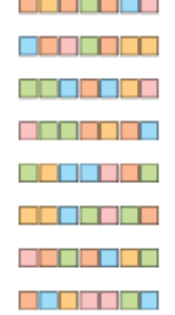
1	2	3	4	5	6	7	8	9	10	11	12
13	14	15	16	17	18	19	20	21	22	23	24
25	26	27	28	29	30	31	32	33	34	35	36
37	38	39	40	41	42	43	44	45	46	47	48
49	50	51	52	53	54	55	56	57	58	59	60
61	62	63	64	65	66	67	68	69	70	71	72
73	74	75	76	77	78	79	80	81	82	83	84
85	86	87	88	89	90	91	92	93	94	95	96
97	98	99	100	101	102	103	104	105	106	107	108
109	110	111	112	113	114	115	116	117	118	119	120
121	122	123	124	125	126	127	128	129	130	131	132
133	134	135	136	137	138	139	140	141	142	143	144


2. Work out these answers:

- a) $2 \times 7 =$ _____
- b) $10 \times 7 =$ _____
- c) $5 \times 7 =$ _____
- d) $7 \times 7 =$ _____
- e) $12 \times 7 =$ _____
- f) $9 \times 7 =$ _____

3. How many blocks are there?

a)  _____ x _____ = _____

b)  _____ x _____ = _____

c)  _____ x _____ = _____